



## Tecle Cadena Manual 5 Tons Antiexplosion ATEX made in Japan

### Especificaciones Técnicas

**Prueba de Carga**

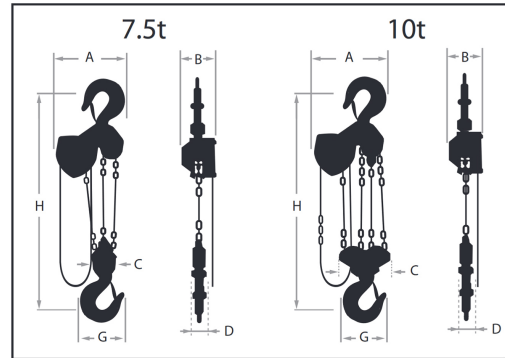
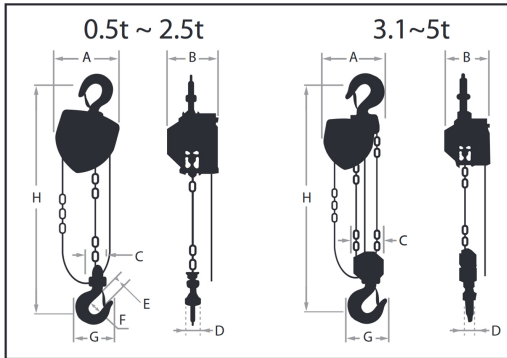
125% [Rated Load / Capacidad Nominal]

**Normas**

ASME B30.16 / B30.17 / ATEX Directive

**Garantía**

3 Year



**SPECIFICATIONS - PWEX H100 SPARK RESISTANT SERIES, HOOK MOUNT**

Model	Max working load (lbs)	Max working load (mt)	Standard Lift (ft)	Manufacturer's Test Load	Headroom (in) "H"	Headroom (in) Lug Mount to Trolley	Hand Effort to Lift Full Working Load (lbf)	Load Chain		Hand Chain Dia. X Pitch (mm)	Net Weight (lbs)
								Dia. X Pitch (mm)	No. of Falls		
PWEX-H100-05	1100	0.5	10	150% x Max. working load	10.83	11.7	59.5	5 x 15	1	5 x 23.5	22
PWEX-H100-1	2200	1.0	10		11.81	12.5	69.5	6.3 x 19			27
PWEX-H100-2	4400	2.0	10		14.77	15.8	88.2	8 x 24			46
PWEX-H100-3	6800	3.1	10		20.87	20.5	104.7	7.1 x 21	53		
PWEX-H100-5	11000	5.0	10	125% x Max. working load	24.1	24.8	105.8	9 x 27	2		87
PWEX-H100-10	22000	10.0	10		30.52	31.4	115.7	9 x 27			4

**DIMENSIONS (IN.) - PWEX H100 SPARK RESISTANT SERIES, HOOK MOUNT**

Capacity (lbs)	A	B	C	D	E	F	G	H
1100	5.5	6.1	2.3	1.3	1.1	1.4	2.7	10.83
2200	6.3	6.3	2.5	1.4	1.2	1.7	3.5	11.81
4400	8.5	7.2	2.6	1.6	1.5	2.1	4.5	14.77
6800	9.1	6.6	4.4	2.5	1.8	2.4	5.5	20.87
11000	11.1	7.5	6.6	3.1	2.1	2.8	6.4	24.61
22000	15.2	7.5	11.8	3.9	2.8	3.4	9	30.52



## Detalles del Empaque

H Altura Muerta	24.09
J Boca Gancho	2.09

Referential Images / Imágenes Referenciales  
 Specifications may change without notice / las especificaciones pueden cambiar sin previo aviso

