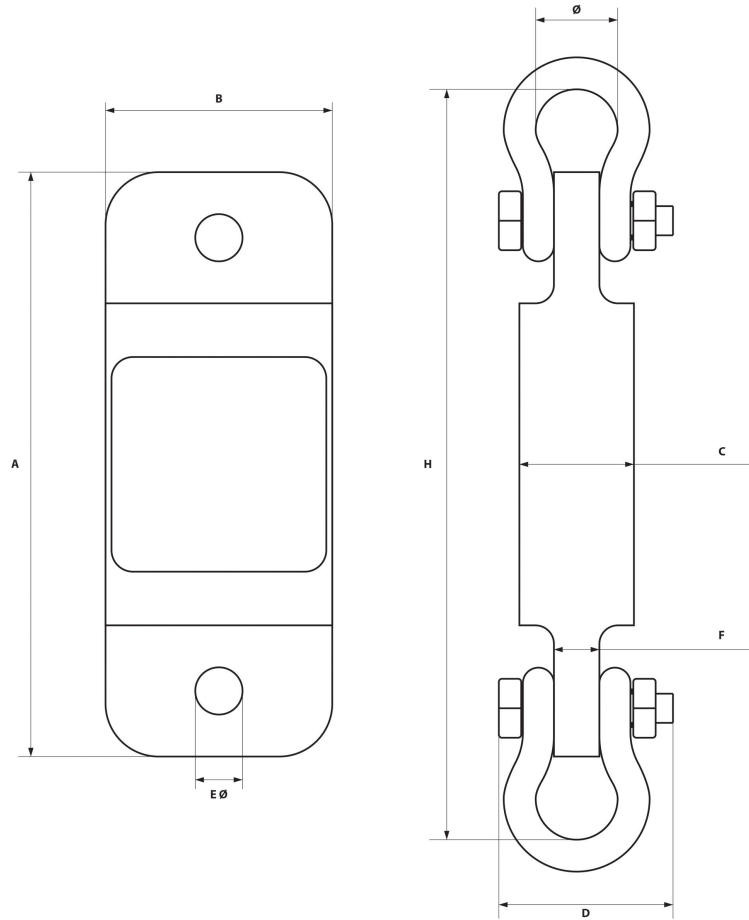




## Dinamometro 5 Tons. Aleacion liviana IP67

### Especificaciones Técnicas

|  |   |                               |                             |
|--|---|-------------------------------|-----------------------------|
| <b>Scale Accuracy</b>                  | ± 0.3%                                  | <b>Scale Graduations</b>      | Alloy                       |
| <b>Weighing Units</b>                  | kg and lb                               | <b>Temp. Range</b>            | -4° to 122°F (-20° to 50°C) |
| <b>Max Capacity</b>                    | 5 ton                                   | <b>Intervalos de Medición</b> | 1/2/5/10/20/50 lb/kg        |
| <b>Frecuencia de Muestro (por seg)</b> | 80 times per sec                        | <b>Peso Mínimo</b>            | 5 lb                        |
| <b>Balance Cero</b>                    | ±1% FS, TCO = ±0.05% FS   50 °F / 10 °C | <b>Factor de Diseño</b>       | 4:1                         |
| <b>Garantía</b>                        | 3 Year                                  |                               |                             |



| Model / Modelo | PWHYCS1T   | PWHYCS5T  | PWHTCS10T | PWHYCS20T | PWHYCS30T | PWHYCS50T |
|----------------|------------|-----------|-----------|-----------|-----------|-----------|
| A              | 9 5/8 in   | 11 1/4 in | 12 1/3 in | 16.5 in   | 16.5 in   | 18.3 in   |
|                | 244.5 mm   | 286 mm    | 318 mm    | 420 mm    | 420 mm    | 465 mm    |
| B              | 3 3/4 in   | 4 in      | 4 1/2 in  | 4.8 in    | 5.4 in    | 5.9 in    |
|                | 95.3 mm    | 102 mm    | 114 mm    | 128 mm    | 138 mm    | 150 mm    |
| C              | 1 7/8 in   | 2 in      | 1 7/8 in  | 2.8 in    | 3.1 in    | 3.9 in    |
|                | 47.6 mm    | 51 mm     | 48 mm     | 70 mm     | 80 mm     | 100 mm    |
| D              | 2 13/16 in | 4 7/8 in  | 6 1/2 in  | 10.2 in   | 11 in     | 12 in     |
|                | 71.4 mm    | 124 mm    | 165 mm    | 260 mm    | 280 mm    | 305 mm    |
| Ø              | 1 3/8 in   | 2 1/4 in  | 3 1/4 in  | 5 in      | 5.7 in    | 7.2 in    |
|                | 34.9 mm    | 57 mm     | 83 mm     | 127 mm    | 146 mm    | 184 mm    |
| H              | 12 in      | 16 in     | 19 1/2 in | 25.9 in   | 29.1 in   | 36.6 in   |
|                | 304.8 mm   | 406 mm    | 495 mm    | 660 mm    | 740 mm    | 930 mm    |
| EØ             | 13/16 in   | 1 7/16 in | 1 7/6 in  |           |           |           |
|                | 19.6 mm    | 37 mm     | 37 mm     |           |           |           |
| F              | 3/4 in     | 1 3/8 in  | 1 7/8 in  |           |           |           |
|                | 19.04 mm   | 35 mm     | 48 mm     |           |           |           |

## Peso & Dimensiones

**Peso Total**

17 lbs / 8 Kg

Referential Images / Imágenes Referenciales

Specifications may change without notice / las especificaciones pueden cambiar sin previo aviso