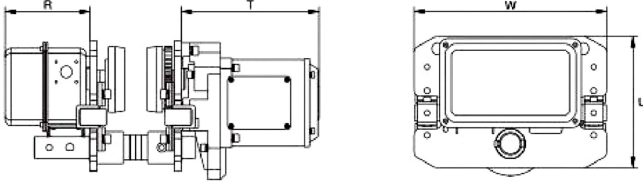


## 1 Ton 2 Speed Power Trolley 380V 60HZ with Limit Switches Pendant not Included



### Especificaciones Técnicas

<b>Capacidad de Carga</b>	2200 lb / 1000 kg	<b>Voltaje</b>	3 Phase 380V 50Hz
<b>Velocidad del Trolley /min</b>	36 - 68 ft /11 - 21 m	<b>Rango de ancho de la Viga</b>	52 - 153 mm
<b>Radio Minimo de Giro</b>	2.6 ft / 0.8 m	<b>Garantía</b>	3 Year
<b>T Motor del Carro</b>	5.6 in / 142 mm	<b>R Carro Ancho Caja</b>	9 in / 231 mm



Model / Modelo	PWQE1Ti	PWQE2Ti	PWQE3Ti	PWQE5Ti	PWQE7Ti	PWQE10Ti	
Dimensions / Dimensiones	<b>W</b>	12.4 in / 315mm	12.7 / 325mm	13.3in / 340mm	15.7 in/ 400mm	26.5 in / 670 mm	19.6in / 500mm
	<b>U</b>	8.3 in / 212mm	8.6mm / 220mm	9.8 in / 250mm	11.4 in / 291mm	-	14.6in / 371mm
	<b>R</b>	5.5 in / 142mm	5.5 in / 142mm	5.5 in / 142mm	5.5 in / 142mm	9 in / 231 mm	5.5 in / 142mm
	<b>T</b>	9 in / 231mm	9 in / 231mm	9 in / 231mm	9 in / 231mm	5.6 in / 142 mm	9 in / 231mm

## Peso & Dimensiones

## Detalles del Empaque

<b>Peso Total</b>	99 lbs / 45 Kg	<b>D Depth</b>	11.81
		<b>W Ancho</b>	22.91

Referential Images / Imágenes Referenciales

Specifications may change without notice / las especificaciones pueden cambiar sin previo aviso