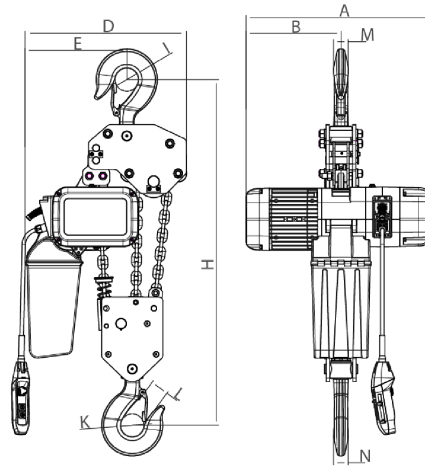


**7.5 ton Electric Chain Hoist  
Variable Speed 380V 3ø 50~60HZ**

## Especificaciones Técnicas

<b>Capacidad de Carga</b>	7.5 ton	<b>Altura de Izaje Estandar (Customizable)</b>	30 ft / 9 m
<b>Velocidad /min</b>	ft @60Hz 0.3~1.8 mt @50Hz	<b>Numero de Velocidades</b>	Variable Speed
<b>Voltaje</b>	3 Phase 380V 50Hz	<b>Clase de Servicio</b>	H4/M5/2m/Class D
<b>Protección IEC Motor</b>	IP55	<b>Control</b>	Pendant Control IP66
<b>Voltaje del Control</b>	24V	<b>Tipo Transmisión / Reductor</b>	Spur gearbox
<b>Tipo de Cadena</b>	G100 Nickel	<b>Dimensiones de la Cadena</b>	11.2 mm
<b>Caidas de Cadena</b>	3	<b>Longitud de cadena</b>	90
<b>Humedad</b>	20%~90%	<b>Temperatura</b>	-4 ~ 104° F / -20 ~ 40° C
<b>Normas</b>	ASME HST-1 , ASME B30.16	<b>Garantía</b>	3 Year
<b>Hoist VFD Brand</b>	HUAYUAN	<b>Hoist VFD Power</b>	4kW VFD
<b>VFD Model</b>	Z230	<b>Brake Resistor Kw</b>	1Kw
<b>IEC Hoist IP Protection</b>	IP55	<b>Pendant Control Yes No</b>	Yes
<b>IEC Pendant Control Protection</b>	IP66	<b>Pendant Control Emergency Stop</b>	Yes
<b>Pendant Control total Length</b>	27 ft	<b>Hoist Motor Power in KW</b>	3
<b>Hoist Motor Brake Type and DC Voltage</b>	DC170V	<b>Overload Protection</b>	Overload Motor Clutch
<b>Hour Meter</b>	Internal Working Hour Meter	<b>Brake rectifiers-half-wave</b>	PWRX-BKTF-HW
<b>Hoist Motor Insulation Grade</b>	F	<b>Recommended Hoist Protection Circuit Breaker AMPs and Type</b>	Type C 11A at 380V
<b>Optional Load Chain Brand &amp; Country of Origin</b>	FEC Japan	<b>Reducer Lubrication Type</b>	Oil
<b>Paint Specifications</b>	Electrostatic Sprayed Plastic (ESP) Epoxy resins, Polyester Resins, Barium, Pigments	<b>Standards Certified</b>	EN60204-37, EN ISO 12100:2010, EN 14492-2:2019, EN 60204-1:2018+A1:2025, EN IEC 61000-6-2:2019, EN IEC 61000-6-4:2019, EN IEC 61000-3-2:2019+A2:2024, EN 61000-3-3:2013+A2:2021
<b>Load Chain weight per foot [lbs]</b>	1.83	<b>1st Package Type</b>	Wood Crate



[Size list: mm]

Rated load (t)	Type	Minimum distance between hooks: H	A	B	D	E	I	M	N	K	L
7	PWRXF7-03	1170	695	350	420	265	45	20	34	59	48

## Peso & Dimensiones

**Peso Total** 495 lbs / 225 Kg

## Detalles del Empaque

**H Altura Muerta** 46.06

**A Altura Total** 40.16

**D Depth** 26.81

**W Ancho** 22.68

**J Boca Gancho** 3.35

**Peso Total (sin cable o cadena)** 130.48

Referential Images / Imágenes Referenciales  
Specifications may change without notice / las especificaciones pueden cambiar sin previo aviso