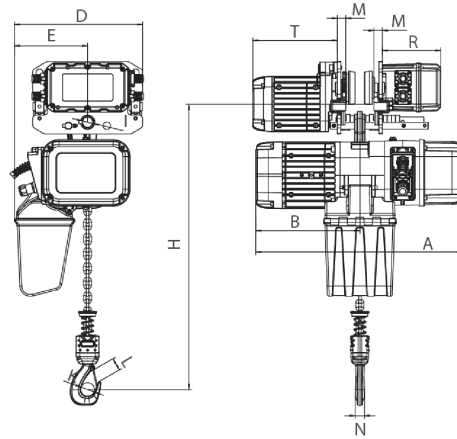




**2 ton Electric Chain Hoist w/ Power  
Trolley 2 Speed 575V 3 $\phi$  1/2 50/60HZ**

## Especificaciones Técnicas

<b>Capacidad de Carga</b>	2 ton	<b>Altura de Izaje Estandard (Customizable)</b>	20 ft / 6 m
<b>Velocidad /min</b>	1 st speed : (8.7 ft @60Hz - 2.2 mt @50Hz) / 2 nd speed : (26.7 ft @60Hz - 6.8 mt @50Hz)	<b>Numero de Velocidades</b>	2 Speed
<b>Voltaje</b>	3 Phase 575v 50/60 Hz	<b>Clase de Servicio</b>	H4/M5/2m/Class D
<b>Protección IEC Motor</b>	IP55	<b>Control</b>	Pendant Control IP66
<b>Voltaje del Control</b>	24V	<b>Tipo Transmisión / Reductor</b>	Spur gearbox
<b>Tipo de Cadena</b>	G100 Nickel	<b>Dimensiones de la Cadena</b>	10 mm
<b>Caidas de Cadena</b>	1	<b>Longitud de cadena</b>	20
<b>Humedad</b>	20%~90%	<b>Temperatura</b>	-4 ~ 104° F / -20 ~ 40° C
<b>Potencia del Trolley</b>	500	<b>Velocidad del Trolley /min</b>	14.17~43.30 ft @60Hz 3.6~11 mt @50Hz
<b>Cantidad de Velocidades</b>	2	<b>Rango de ancho de la Viga</b>	3" to 7"
<b>Radio Minimo de Giro</b>	1.5	<b>Normas</b>	ASME HST-1 , ASME B30.16 , B30.17 , EN60204-34
<b>Garantía</b>	3 Year	<b>Hoist Contactors Amps</b>	25A
<b>Hoist Contactor Brand</b>	Schneider	<b>Hoist Contactor Coil Voltage</b>	24 V
<b>IEC Hoist IP Protection</b>	IP55	<b>Pendant Control Yes No</b>	Yes
<b>IEC Pendant Control Protection</b>	IP66	<b>Pendant Control Emergency Stop</b>	Yes
<b>Pendant Control total Length</b>	17 ft	<b>Hoist Motor Power in KW</b>	3
<b>Hoist Motor Brake Type and DC Voltage</b>	DC260V	<b>Overload Protection</b>	Overload Motor Clutch
<b>Hour Meter</b>	Internal Working Hour Meter	<b>Brake rectifiers-half-wave</b>	PWRX-BKTF-HW
<b>Hoist Motor Insulation Grade</b>	F	<b>Recommended Hoist Protection Circuit Breaker AMPS and Type</b>	Type D 20A
<b>Optional Load Chain Brand &amp; Country of Origin</b>	FEC Japan	<b>Reducer Lubrication Type</b>	Oil
<b>Paint Specifications</b>	Electrostatic Sprayed Plastic (ESP) Epoxy resins, Polyester Resins, Barium, Pigments	<b>Trolley Motor Brake Type and DC Voltage</b>	DC260V
<b>Trolley Motor Insulation Grade</b>	F	<b>Trolley Contactors Amps</b>	32A
<b>Trolley Contactors Brand</b>	Schneider	<b>Trolley Contactors Coil Voltage</b>	24 V
<b>Trolley Wheel Diameter</b>	110	<b>Trolley Wheel Material</b>	No. 45 steel
<b>Trolley Minimum Turn Radius</b>	1.5	<b>Trolley Beam Range</b>	3" to 7"
<b>Trolley Beam Extension Kit</b>	up to 12"	<b>Load Chain weight per foot [lbs]</b>	1.48
<b>1st Package Type</b>	Wood Crate	<b>2nd Package Type</b>	Wood Crate



Rated load (t)	Type	Dimension (mm)													
		Minimum distance from the bottom of the track to the bottom hook: H	A	L	B	D	E	I	M	N	K	L	T	R	
1	PWRXT1-01	473	440	3500-5500	285	210	20	105	140						
2	PWRXT2-01	516	590		276	368	210	31	24	25	42	32	242	167	
3	PWRXT3-01	600	681		350	422	264	36	28	35	52	42	242	167	
5	PWRXT5-02	645	681		350	478	307	43	30	34	59	48	242	167	

## Peso & Dimensiones

**Peso Total** 418 lbs / 190 Kg

## Detalles del Empaque

**H Altura Muerta** 23.62

**A Altura Total** 23.62

**D Depth** 23.62

**W Ancho** 16.61

**J Boca Gancho** 2.05

**Peso Total (sin cable o cadena)** 274.43

Referential Images / Imágenes Referenciales  
Specifications may change without notice / las especificaciones pueden cambiar sin previo aviso