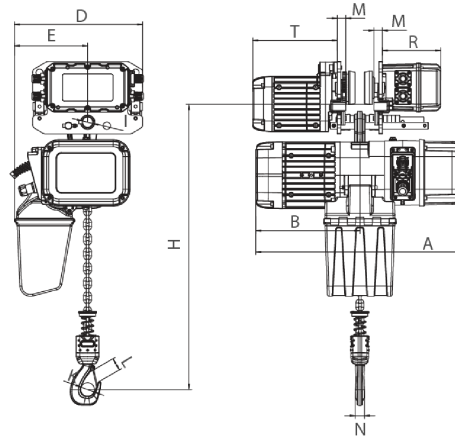




**5 ton Electric Chain Hoist w/ Power
Trolley 1 Speed 380V 3Ø 50HZ**

Especificaciones Técnicas

| | | | |
|--|--|---|---|
| Plug | Open Leads | Capacidad de Carga | 5 ton |
| Altura de Izaje Estandar (Customizable) | 30 ft / 9 m | Velocidad /min | 10.63 ft @60Hz 2.70 mt @50Hz |
| Numero de Velocidades | 1 Speed | Voltaje | 3 Phase 380V 50Hz |
| Clase de Servicio | H4/M5/2m/Class D | Protección IEC Motor | IP55 |
| Control | Pendant Control IP66 | Voltaje del Control | 24V |
| Tipo Transmisión / Reductor | Spur gearbox | Tipo de Cadena | G100 Nickel |
| Dimensiones de la Cadena | 11.2 mm | Caidas de Cadena | 2 |
| Longitud de cadena | 60 | Humedad | 20%~90% |
| Temperatura | -4 ~ 104° F / -20 ~ 40° C | Potencia del Trolley | 750 |
| Velocidad del Trolley /min | 43.30 ft @60Hz 11 mt @50Hz | Cantidad de Velocidades | 1 |
| Normas | ASME HST-1 , ASME B30.16 , B30.17 | Garantía | 3 Year |
| Hoist Contactors Amps | 25A | Hoist Contactor Brand | Schneider |
| Hoist Contactor Model | LC1D25B7C | Hoist Contactor Coil Voltage | 24 V |
| IEC Hoist IP Protection | IP55 | Pendant Control Yes No | Yes |
| IEC Pendant Control Protection | IP66 | Pendant Control Emergency Stop | Yes |
| Pendant Control total Length | 27 ft | Hoist Motor Power in KW | 3 |
| Hoist Motor Brake Type and DC Voltage | DC170V | Overload Protection | Overload Motor Clutch |
| Hour Meter | Internal Working Hour Meter | Brake rectifiers-half-wave | PWRX-BKTF-HW |
| Hoist Motor Insulation Grade | F | Recommended Hoist Protection Circuit Breaker AMPS and Type | Type D 20A |
| Optional Load Chain Brand & Country of Origin | FEC Japan | Reducer Lubrication Type | Oil |
| Paint Specifications | Electrostatic Sprayed Plastic (ESP) Epoxy resins, Polyester Resins, Barium, Pigments | Standards Certified | EN60204-36, EN ISO 12100:2010, EN 14492-2:2019, EN 60204-1:2018+A1:2025, EN IEC 61000-6-2:2019, EN IEC 61000-6-4:2019, EN IEC 61000-3-2:2019+A2:2024, EN 61000-3-3:2013+A2:2021 |
| Trolley Motor Brake Type and DC Voltage | DC170V | Trolley Motor Insulation Grade | F |
| Trolley Contactors Amps | 40A | Trolley Contactors Brand | Schneider |
| Trolley Contactors Model | LC1D12B7C | Trolley Contactors Coil Voltage | 24 V |
| Trolley Wheel Diameter | 139 | Trolley Wheel Material | No. 45 steel |
| Trolley Minimum Turn Radius | 1.8 m / 5.9 ft | Trolley Beam Range | 3.9" to 7" |
| Trolley Beam Extension Kit | up to 12" | Load Chain weight per foot [lbs] | 1.83 |
| 1st Package Type | Wood Crate | 2nd Package Type | Wood Crate |



| Rated load (t) | Type | Dimension (mm) | | | | | | | | | | | | | |
|----------------|-----------|---|-----|-----------|-----|-----|-----|-----|-----|----|----|----|-----|-----|--|
| | | Minimum distance from the bottom of the track to the bottom hook: H | A | L | B | D | E | I | M | N | K | L | T | R | |
| 1 | PWRXT1-01 | 473 | 440 | 3500-5500 | 285 | 210 | 20 | 105 | 140 | | | | | | |
| 2 | PWRXT2-01 | 516 | 590 | | 276 | 368 | 210 | 31 | 24 | 25 | 42 | 32 | 242 | 167 | |
| 3 | PWRXT3-01 | 600 | 681 | | 350 | 422 | 264 | 36 | 28 | 35 | 52 | 42 | 242 | 167 | |
| 5 | PWRXT5-02 | 645 | 681 | | 350 | 478 | 307 | 43 | 30 | 34 | 59 | 48 | 242 | 167 | |

Peso & Dimensiones

Peso Total 616 lbs / 280 Kg

Detalles del Empaque

H Altura Muerta 31.89

A Altura Total 26.57

D Depth 27.36

W Ancho 16.54

J Boca Gancho 2.36

Peso Total (sin cable o cadena) 246.46

Referential Images / Imágenes Referenciales
Specifications may change without notice / las especificaciones pueden cambiar sin previo aviso